

5.8" Oval High Intensity Aluminum Alloy Housing Multi-Purpose LED

Specification:

High intensity LED heavy-duty worklight. features a sealed, water-resistant (rate IP67), PC* lens, aluminum alloy housing with a 1ft heavy-duty cord.

Operating Voltage: 12V-24V DC (10-30Volts)

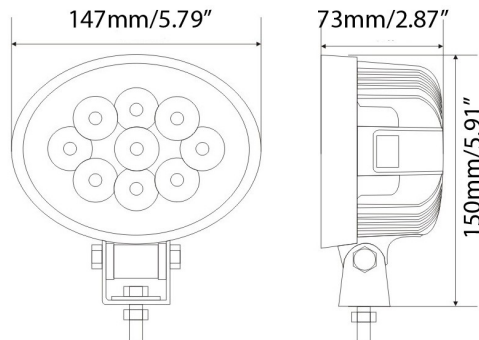
Beam Type: Spot beam 30°, flood beam 60°

Order Number:

W0905500: 27 Watts, White High Intensity LED Heavy-Duty Worklight with Black Painted Aluminum Alloy Housing, Spot Beam, **2400 Lumen**** Output.



W0905510: 27 Watts, White High Intensity LED Heavy-Duty Worklight with Black Painted Aluminum Alloy Housing, Flood Beam, **2400 Lumen**** Output.



**Listed maximum lumen output is based on individual LED lab test results. Actual lumen output may vary.



24853 AVE ROCKEFELLER , VALENCIA CA 91355 WWW.ALT-ENT.COM
SALES@ALT-ENT.COM TEL:(661)705-5727, FAX:(661)294-9183