

Dual Beam High Intensity Multi-Purpose LED WORKLIGHT

Specification:

High intensity LED heavy-duty worklight. features a sealed, water-resistant (rate IP67), PC* lens, aluminum alloy housing with a 1ft heavy-duty cord. Dual Beam, three wires to function each beam on individual or together.

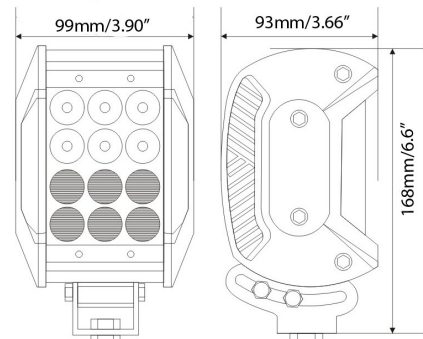
Operating Voltage: 12V-24V DC (10-30Volts)

Operating Temperature-40C°- 85C°

Beam Type: Can be used as a spot beam 30° or a flood beam 60°, or a combination of the two.

| Order Number: | L | Beam | Watts | Lumen Output |
|---------------|------|------------|-------|-----------------|
| W1204500: | 4" | Spot&Flood | 36W | 1500X2 (3,000) |
| W2406500: | 6.5" | Spot&Flood | 72W | 3000X2 (6,000) |
| W3609500: | 9" | Spot&Flood | 108W | 4500X2 (9,000) |
| W4812500: | 12" | Spot&Flood | 144W | 6000X2 (12,000) |
| W7217500: | 17" | Spot&Flood | 216W | 9000X2 (18,000) |

Caution: Large Size LED Bar Request Order May Available For 2-4 Week Lead Time Order Only.



**Listed maximum lumen output is based on individual LED lab test results. Actual lumen output may vary.



24853 AVE ROCKEFELLER, VALENCIA CA 91355 WWW.ALT-ENT.COM
SALES@ALT-ENT.COM TEL:(661)705-5727, FAX:(661)294-9183