

High Power Round Shape Multi-Purpose LED Worklight

Specification:

Ultra high intensity heavy-duty LED light. features a sealed, water-resistant (rate IP67), PC* lens, aluminum alloy housing with a 1ft heavy-duty cord.

Operating Voltage: 12V-24V DC (10-30Volts)

Operating Temperature-40C°- 85C°

Beam Type: Spot beam 30°, flood beam 60°

Order Number:

W0405500: 40 Watts, 5" Round White Ultra High Intensity LED Heavy-Duty Worklight with Black Painted Aluminum Alloy Housing, Spot Beam, **3500 Lumen**** Output.

W0405510: 40 Watts, 5" Round White Ultra High Intensity LED Heavy-Duty Worklight with Black Painted Aluminum Alloy Housing, Flood Beam, **3500 Lumen**** Output.



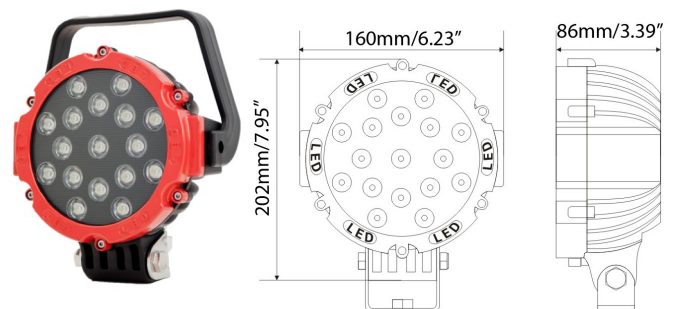
W0706500: 70 Watts, 6" Round White Ultra High Intensity LED Heavy-Duty Worklight with Black Painted Aluminum Alloy Housing, Spot Beam, **7000 Lumen**** Output.

W0706510: 70 Watts, 6" Round White Ultra High Intensity LED Heavy-Duty Worklight with Black Painted Aluminum Alloy Housing, Flood Beam, **7000 Lumen**** Output.



Order Number:

W1707500: 7" Round, White Ultra High Intensity LED Heavy-Duty Worklight with Black Painted Aluminum Alloy Housing, Spot Beam, **3700 Lumen**** Output. Handle Bar Included.



**Listed maximum lumen output is based on individual LED lab test results. Actual lumen output may vary.

