

7" Round LED, BUS STT, Back-Up Signal Light

7" Round, LED light functions as a STOP, TURN, and TAIL light for school buses, heavy-duty construction trucks, and trailers. independent laboratory tested, meets or exceeds latest DOT FMVSS 108 and SAE standards. The design is in accordance with the **Department of California Highway Patrol**, California Vehicle Code (VC) Section 24003 and Section 24607's noted in an information bulletin published on November 18, 2002.

Specifications

Features a sealed, water-resistant, polycarbonate optical lens and housing.

Operating Voltage: 12V DC (8-16V), or 12V-24V DC (8-32V)

Operating Current: <0.60 A (test at 12.8V)

Order Number:

T5501100: 12V DC, Amber Turning Light

T5501120: 12V-24V DC, Amber Turning Light

T5501300: 12VDC, Red STT Light

T5501320: 12V-24V DC, Red STT Light

T5501520: 12V-24V DC, White Back-up light



7" School Bus Emergency Warning Light

7" Round LED light that functions as a EMERGENCY WARNING light for school buses. U.S. independent laboratory tested meets or exceeds latest DOT FMVSS 108 and SAE standards, SAE J887 approved for School Bus Emergency Warning Light use.

Specifications

Features a sealed, water-resistant, polycarbonate optical lens and housing. Internal built in single standard flashing and strobe

flashing pattern, operate with freedom, alternating and simultaneous flashing controller.

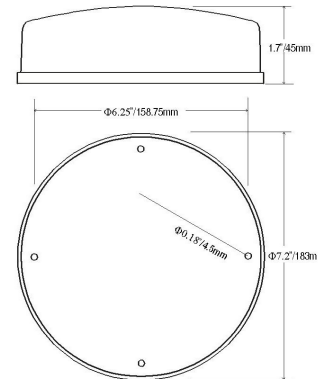
Operating Voltage: 12V-24V DC (8-32V)

Operating Current: <2.0 A (tested at 12.8V)

Order Number:

F5502120: 12V-24V DC, Amber LED, School Bus Warning Light.

F5502320: 12V-24V DC, Red LED, School Bus Warning Light.



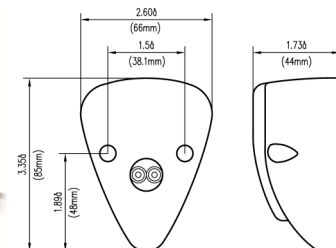
Tri-Angle Bus Marker Light

Features a sealed, water-resistant, polycarbonate optical lens and housing.

Order Number

T0401100: Amber LED , Bus Marker Light

T0401300: Red LED , Bus Marker Light



27636 AVE SCOTT STE D, VALENCIA CA 91355 WWW.ALT-ENT.COM

SALES@ALT-ENT.COM TEL: (661)295-6818, FAX: (661)295-6816

TOLL FREE: TEL: (844)406-6818 FAX: (844)881-6816, EFAX:(888)774-9793